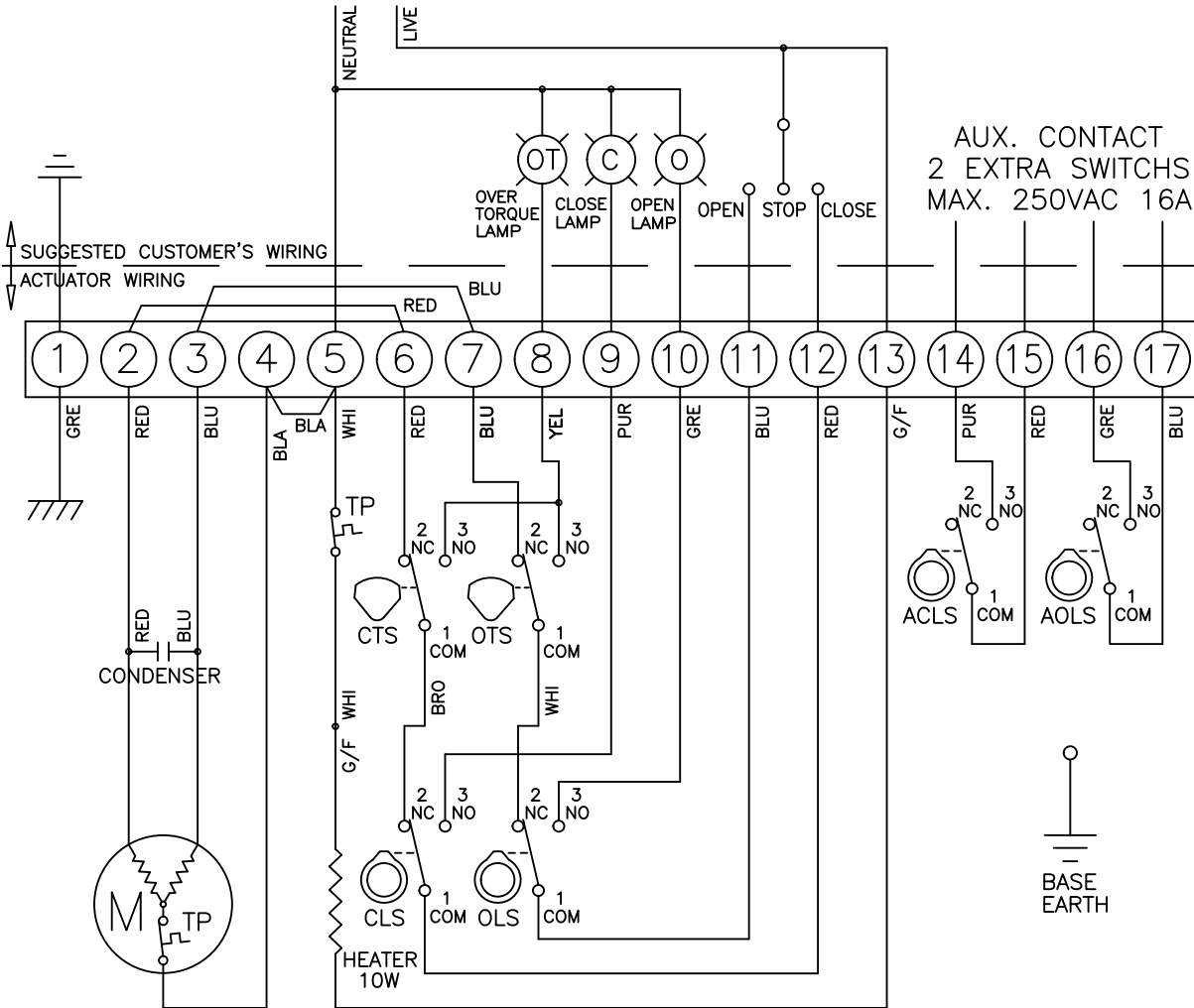


INCOMING POWER  
115VAC/1PH



AUX. CONTACT  
2 EXTRA SWITCHES  
MAX. 250VAC 16A

TORQUE AND LIMIT SWITCH OPERATION			
SWITCH	CLOSE ←	INTERMEDIATE →	OPEN →
CLS 1-2			
CLS 1-3			
OLS 1-2			
OLS 1-3			
ACLS 1-2			
ACLS 1-3			
AOLS 1-2			
AOLS 1-3			
* CLOSING TORQUE SWITCH INTERRUPTS CONTROL IF MECHANICAL OVERLOAD OCCURS DURING CLOSING CYCLE			
* OPENING TORQUE SWITCH INTERRUPTS CONTROL IF MECHANICAL OVERLOAD OCCURS DURING OPENING CYCLE			
SYMBOL	DESCRIPTION	RATING	
CLS	CLOSE LIMIT SWITCH	250VAC 10A	
OLS	OPEN LIMIT SWITCH	250VAC 10A	
CTS	CLOSE TORQUE SWITCH	250VAC 10A	
OTS	OPEN TORQUE SWITCH	250VAC 10A	
ACLS	AUX. CLOSE LIMIT SWITCH	250VAC 16A	
AOLS	AUX. OPEN LIMIT SWITCH	250VAC 16A	
TP	THERMAL PROTECTOR	250VAC 15A	
*EACH ACTUATOR SHOULD BE POWERED THROUGH IT'S OWN INDIVIDUAL SWITCH OR RELAY CONTACTS TO PREVENT CROSS FEED BETWEEN TWO OR MORE ACTUATORS.			

PART #	HEATER WATTS
WE/XE/XC-****	10 WATTS (STD)
WE/XE-****XXL	30 WATTS (OPT)

NOTE: STANDARD 10 WATT HEATER RATED TO -4 DEG F  
OPTIONAL 30 WATT HEATER RATED TO -40 DEG F  
SUFFIX "XXL" = LOW TEMPERATURE OPTION (WE/XE ONLY)



THE DESIGN AND DISCLOSURE CONTAINED IN THIS DRAWING WAS ORIGINATED BY, AND IS EXCLUSIVE PROPERTY OF A-T CONTROLS, INC. IT IS FURNISHED FOR YOUR INFORMATION ONLY AND IS NOT AN AUTHORIZATION OR LICENSE TO MAKE THIS CONSTRUCTION OR TO FURNISH THIS INFORMATION TO OTHERS. ALL DRAWINGS MUST BE RETURNED TO A-T CONTROLS, INC. ON DEMAND. THIS DRAWING IS NOT TO BE REPRODUCED OR COPIED IN ANY FORM WITHOUT THE EXPRESS WRITTEN PERMISSION OF A-T CONTROLS, INC.

9955 INTERNATIONAL BLVD.  
CINCINNATI, OHIO 45246  
PHONE: (513) 247-5465  
FAX: (513) 247-5462

DRAWN BY TEM  
DATE 08/16/18

CHECKED BY  
DATE

RELEASED BY  
DATE

SHEET 1 of 1

DO NOT SCALE DRAWING

DESCRIPTION  
WE/XE-1350 THRU WE/XE-25900 ELECTRIC ACTUATOR  
XC-01350 THRU XC-25900  
115VAC / 1PH / 50-60HZ  
TWO POSITION

MATERIAL  
DRAWING NO. SE1080  
REVISION