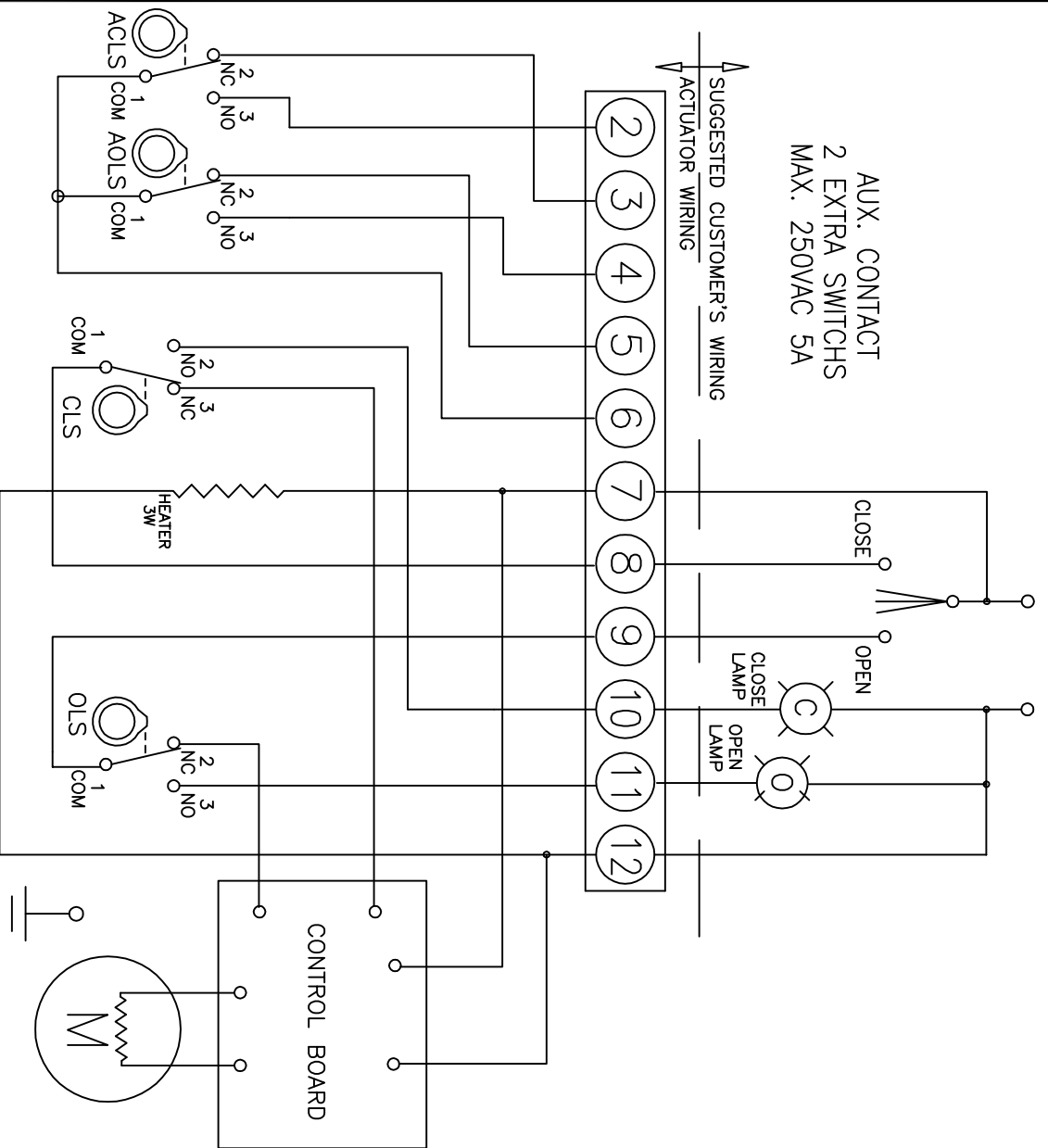


AC (24 V)

SE1168



TORQUE AND LIMIT SWITCH OPERATION

SWITCH CLOSE ← INTERMEDIATE → OPEN

CLS 1-2		
CLS 1-3		
OLS 1-2		
OLS 1-3		

SYMBOL	DESCRIPTION	RATING
CLS	CLOSE LIMIT SWITCH	250VAC 5A
OLS	OPEN LIMIT SWITCH	250VAC 5A

*EACH ACTUATOR SHOULD BE POWERED THROUGH IT'S OWN INDIVIDUAL SWITCH OR RELAY CONTACTS TO PREVENT CROSS FEED BETWEEN TWO OR MORE ACTUATORS.

AC/DC 24V Control Unit	
DIP SWITCH	
Mode	1 2
DC	ON OFF
AC	OFF ON

THE DESIGN AND DISCLOSURE CONTAINED IN THIS DRAWING WAS ORIGINATED BY AND IS EXCLUSIVE PROPERTY OF A-T CONTROLS, INC. IT IS FURNISHED FOR YOUR INFORMATION ONLY AND IS NOT AN AUTHORIZATION OR LICENSE TO MAKE THIS CONSTRUCTION OR TO FINISH THIS INFORMATION TO OTHERS. ALL DRAWINGS MUST BE RETURNED TO A-T CONTROLS, INC. ON DEMAND. THIS DRAWING IS NOT TO BE REPRODUCED OR COPIED IN ANY FORM WITHOUT THE EXPRESS WRITTEN PERMISSION OF A-T CONTROLS, INC.

DESIGNED BY	DATE	APPROVED BY	DATE
SAH	02/03/06		

TITLE WE-500A 24VAC ELECTRIC ACTUATOR (2) POSITION CONTROL



ECN#	DATE	BY

TRIPLE CONTROLS

Division of A-T Controls, Inc.
 11363 Deerfield Road
 Cincinnati, Ohio 45242
 Phone: (513) 247-5465
 Fax: (513) 247-5462