

BC-R25 Series Burner Controller

Overview

BC-R25 Series burner controllers are combustion safety controllers specifically designed for batch operation (systems which start and stop at least once within 24 hours).

They ensure safety by automatically controlling the ignition, combustion monitoring, and fuel shutoff of oil and gas burners with on/off control. They are also equipped with a 7-segment display that can be used in maintenance, a trial operation mode that is convenient for trial operation and adjustment, and other features.

Additionally, the BC-R25 is equipped with host communications (RS-485) and Smart Loader Package functions, allowing troubleshooting and more detailed observation of status.

Features

Compliant with JIS standards

- Safe construction of combustion systems and equipment
 - Uses pre-purge and ignition timing in compliance with JIS B 8407:2012 (forced-air burners) and JIS B 8415:2008 (combustion equipment in compliance with the safety principles for industrial incinerators).
 - Uses POC (proof of closure) based on shutoff valve closure confirmation switch input
- JIS-compliant burner controller safety design
 - Safety design in compliance with JIS C 9730 (automatic electrical controls for household and similar use)
 - EN 298 compliance (certification pending)

Easy mounting and replacement

- DIN rail mounting
 - Easily mountable in the same way as other control devices and control relays
- Uses a sub-base structure
 - Structure separates the sub-base from the main unit
It is possible to change only the main unit, leaving the wired-in sub-base in place

■ Precautions on equipment instrumentation

- (1) The equipment used in the combustion safety system was designed with careful consideration of laws, standards, safety guidelines, and the like. If the system is designed to a foreign specification, refer to laws and standards in the relevant country.

Main Safety Policies in Japan

- Technical Policy on Safety Standards for Combustion Equipment in Industrial Furnaces: Ministry of Health, Labour and Welfare
 - Combustion equipment in compliance with the safety principles for industrial incinerators - JIS B 8415
 - Forced Draught Burners - Part 1: Gas Burners - JIS B 8407-1
 - Forced Draught Burners - Part 2: Oil Burners - JIS B 8407-2
 - The index of safety technology of industrial gas combustion equipment: Japan Gas Association
 - Index of safety technology of gas boiler combustion facilities: Japan Gas Association
- (2) This device monitors for failures in the relay contacts used for combustion load (IG, PV, MV) output. An E09 error is output if a voltage occurs at a load terminal, due to a ground fault or wiring error, when this device is not outputting a load. If an E09 error occurs when this device is installed, recheck the wiring and eliminate the factors causing the error.
 - (3) If the wiring from this device exceeds the recommended length, prevent malfunction due to the effects of external noise by running wires from the control panel to the casing through a conduit, keeping a distance between power lines and input lines, and other measures. Check the operation of the system on installation.
 - (4) A reset signal must always be input near the equipment (burner, etc.), not remotely.
If a reset is input while it is not possible to confirm safety, there is the risk of explosion.



Extensive communications with external devices

- Equipped with a 7-segment display
 - 7-segment display for sequence codes and warning codes
 - Press the DISP switch to display the flame voltage.
- External status output
 - States such as ignition failure, flame failure, and combustion detected are output digitally (and used as panel displays)
- Warning reset by contact input
- Equipped with a trial operation mode
 - Combustion signal, ignition failure, and other states output can be forced to a monitor
 - Wiring checks can be made
- Equipped with host communications (RS-485), allowing remote observation of status
- Status checking by Smart Loader Package

Specifications

Item		Description				
Application		Batch-operated combustion systems burning gas, oil, or gas/oil mixture				
Compatible flame detector		AUD100/110/120 series UV sensor, flame rod				
Sequence	Sequence timing	Pre-purge	Pilot ignition (Main ignition) *1	Pilot only (Hi solenoid valve ignition standby) *1	Main ignition (Hi solenoid valve ignition) *1	Post purge
		20 s, 35 s, 45 s, 3 min (select by model number)	4.5±0.5 s	8.5±1 s	4.5±0.5 s	20±2 s
	Flame response	AUD100/110/120 series UV sensor			Flame rod	
		2 s max. (nominal 1.5 s) (when flame voltage is 3 V)			2 s max. (nominal 1.5 s) (when flame voltage is 2 V)	
	Reset timing	1 s or longer (main unit reset switch or contact reset input) *2				
	Alarm detection timing	False flame error	Airflow switch error 1	Airflow switch error 2	Lockout interlock error	POC (shutoff valve closure check) error
		5 s	1 s	180 s	1 s max.	3 s
	Airflow switch monitoring	Available (checks for Airflow switch error 1, error 2)				
	Ignition failure	Depends on the model				
	Flameout	Lockout				
Electrical specifications	Rated power supply	100 V AC, 200 V AC, or 220 V AC (depending on the model), 50 Hz or 60 Hz				
	Allowable power supply voltage	85 to 110 % of rated power supply				
	Power consumption	10 W or less				
	Voltage resistance	1500 V AC for 1 min, or 1800 V AC for 1 s Between each terminal and ground (the DIN rail clamp), except for combustion sensor connection terminals (terminals 14, 15)				
	Insulation resistance	At least 50 MΩ, 500 V DC megger Between each terminal and ground (the DIN rail clamp), except for combustion sensor connection terminals (terminals 14, 15)				
	Contact rating	Blower motor (electromagnetic breaker)	Ignition transformer	Pilot valve (main valve Lo solenoid valve) *1	Main valve (main valve Hi solenoid valve) *1	Alarm
		100 VA	300 VA	200 VA	200 VA	75 VA
	Monitor outputs	4, maximum 30 mA each				
	Combustion detection level	AUD100/110/120 series UV sensor			Flame rod	
		When ignition is detected: 1.5 to 4.5 V DC When detected as extinguished: 0.2 to 0.6 V DC			When ignition is detected: 1.5 to 4.5 V DC When detected as extinguished: 0.0 to 0.2 V DC	
Flame voltage output	Recommended flame voltage: Must be stable at 2 V DC or above Flame voltage output range: 0.2 to 4.5 V DC			Recommended flame voltage: Must be stable at 2 V DC or above Flame voltage output range: 0.0 to 4.5 V DC		
Input	Startup, lockout interlock, contact reset, airflow switch, POC (shutoff valve proof of closure) Each input is a non-voltage contact input, with allowable contact resistance up to 500 Ω					
Life span	10 years when used for eight hours per day, or 100,000 start/stop cycles (at 25 °C, constant temperature, rated voltage)					
Transportation and storage conditions	Ambient temperature	-20 to +70 °C				
	Ambient humidity	5 to 95 % RH (no condensation)				
	Vibration	0 to 9.8 m/s ² (10 to 150 Hz, 1 octave/minute, 10 cycles, in each of XYZ directions)				
	Shock	0 to 300 m/s ²				
	Packaged drop test	60 cm drop height (free drop onto 1 corner, 3 edges, 6 sides)				
Operating conditions	Ambient temperature	-20 to +60 °C				
	Ambient humidity	10 to 90 % RH (no condensation)				
	Vibration	0 to 3.2 m/s ² (10 to 150 Hz, 1 octave/minute, 10 cycles, in each of XYZ directions)				
	Shock	0 to 9.8 m/s ²				
	Mounting angle	Reference plane +/-10°				
	Dust	0.3 mg/m ³ or less				

Host communication specifications	Communications standard	RS-485
	Transmission route	3-wire system
	Transmission speed	4800, 9600, 19200 bps
	Transmission distance	Max. 500 m
	Communication method	Semi-duplex
	Synchronization method	Asynchronous
	Data format	8 data bits, 1 stop bit, even parity, odd parity 8 data bits, 2 stop bits, even parity, odd parity
	Device address	1 to 32
	Connection method	1: N (max. 15 units)
	Miscellaneous	Based on RS-485
General specifications	Protective structure	IP40 (with a sideboard (81447515-001) attached to the sub-base (BC-R05)) IP10 (sub-base (BC-R05) only)
	Excess voltage category	II
	Pollution degree	PD2
	Case color	Black
	Case material	Denatured PPE resin (UL94-V0 PTI materials group IIIa)
	Structure	Sub-base and a main unit
	Mounting orientation	Vertical or horizontal However, in horizontal mounting the 7-segment display must face directly upward (DIN rail mounting or direct mounting through base screw holes)
	Standards	JIS C 9730-2-5: 2010 (Automatic Electrical Controls For Household And Similar Use - Part 2-5: Particular Requirements For Automatic Electrical Burner Control Systems) Compliant with JIS C 9730-1: 2010 (Automatic Electrical Controls For Household And Similar Use - Part 1: General Requirements)
	Dimensions	W95 × H105 × D110 mm
Weight	Approximately 600 g (incl. sub-base)	
Wiring types and max. wiring length	<ul style="list-style-type: none"> - Start, airflow switch, lockout interlock, POC (shutoff valve proof of closure) Copper IV wire with 600 V vinyl insulation, 1.25 mm², recommended condition: 20 m or less, maximum wiring length: 100 m - Contact reset Copper IV wire with 600 V vinyl insulation, 1.25 mm², maximum wiring length: 10 m - AUD100 Series (F, G) Copper IV wire with 600 V vinyl insulation, 1.25 mm², maximum wiring length: 100 m - Flame rod (F, G) RG-11U (JAN standard: US DoD compliant specification) or equivalent, 5C2V, 7C2V (JIS standard) Recommended condition: 20 m or less, maximum wiring length: 30 m - RS-485 communications (3-wire system) 0.2 to 1.5 mm² shielded, twisted pair cable (recommended), maximum wiring length: 500 m - Signal line for flame voltage output IV wire, 0.75 mm² or larger, max. wiring length 10 m 	

*1 Item in () is for the case of direct ignition.

*2 In the case of post purge when there is a alarm, no reset input is accepted until post purge is complete.
Also, reset input is not accepted if no alarm has occurred.

Model selection guide

(Note: The dedicated sub-base and sideboard are not provided with the BC-R25 series controller. Order them separately.)

● BC-R25 series Interrupted pilot type

I II III IV V VI VII Example: BC-R25B1G0500

I	II	III	IV	V	VI	VII	Description
Base model number	Communications functions	Combustion sensor	Power supply	Function code	Timing code	Additional functions	
BC-R	25						Burner Controller
							RS-485, with Smart Loader Package function
		B					Flame rod (ionization)
		C					UV sensor (AUD100/110/120)
			1				100 V AC
			2				200 V AC
			6				220 V AC
				G			Interrupted pilot type
					050		Pre-purge time 35 s
					086		Pre-purge time 45 s
					122		Pre-purge time 60 s
					158		Pre-purge time 3 min
						0	None
						D	With inspection record (with data)

● BC-R25 series Direct ignition type

I II III IV V VI VII Example: BC-R25B1J0500

I	II	III	IV	V	VI	VII	Description
Base model number	Communications functions	Combustion sensor	Power supply	Function code	Timing code	Additional functions	
BC-R	25						Burner Controller
							RS-485, with Smart Loader Package function
		B					Flame rod (ionization)
		C					UV sensor (AUD100/110/120)
			1				100 V AC
			2				200 V AC
			6				220 V AC
				J			Direct ignition type
					014		Pre-purge time 20 s
					050		Pre-purge time 35 s
					086		Pre-purge time 45 s
					122		Pre-purge time 60 s
					158		Pre-purge time 3 min
						0	None
						D	With inspection record (with data)

● **BC-R25 Recycling model Interrupted pilot type** I II III IV V VI VII Example: BC-R25B1H0500

I	II	III	IV	V	VI	VII	Description		
Base model number	Communi- cations functions	Combustion sensor	Power supply	Function code	Timing code	Additional functions			
BC-R	25						Burner Controller		
							RS-485, with Smart Loader Package function		
		B					Flame rod (ionization)		
			C				UV sensor (AUD100/110/120)		
				1			100 V AC		
				2			200 V AC		
				6			220 V AC		
					H		Interrupted pilot type		
						050	Pre-purge time 35 s		
						086	Pre-purge time 45 s		
						122	Pre-purge time 60 s		
						158	Pre-purge time 3 min		
							0	None	
								D	With inspection record (with data)

● **BC-R25 Recycling model Direct ignition type** I II III IV V VI VII Example: BC-R25B1K0500

I	II	III	IV	V	VI	VII	Description		
Base model number	Communi- cations functions	Combustion sensor	Power supply	Function code	Timing code	Additional functions			
BC-R	25						Burner Controller		
							RS-485, with Smart Loader Package function		
		B					Flame rod (ionization)		
			C				UV sensor (AUD100/110/120)		
				1			100 V AC		
				2			200 V AC		
				6			220 V AC		
					K		Direct ignition type		
						050	Pre-purge time 35 s		
						086	Pre-purge time 45 s		
						122	Pre-purge time 60 s		
						158	Pre-purge time 3 min		
							0	None	
								D	With inspection record (with data)

Compatible flame detector (sold separately)

● UV sensor

Model number	Name	Notes
AUD15C1000	Advanced UV sensor tube unit	Use a dedicated socket for the AUD100C/110C/120C
AUD100C100_	Dedicated socket for the AUD15	AUD15C1000, sold separately
AUD100C1000-A15	Lead wire type	AUD15C1000 in package
AUD110C100_	Dedicated socket for the AUD15	AUD15C1000, sold separately
AUD110C1000-A15	Terminal board type	AUD15C1000 in package
AUD120C120_	Dedicated socket for the AUD15	Without G1/2 adapter, AUD15C1000, sold separately
AUD120C121_	1/2-inch mounting type	With G1/2 adapter, AUD15C1000, sold separately

_ : 0: standard product, D: with inspection record (with data), T: tropicalization treatment (AUD110C only),

B: with inspection record (with data) + tropicalization treatment (AUD110C only)

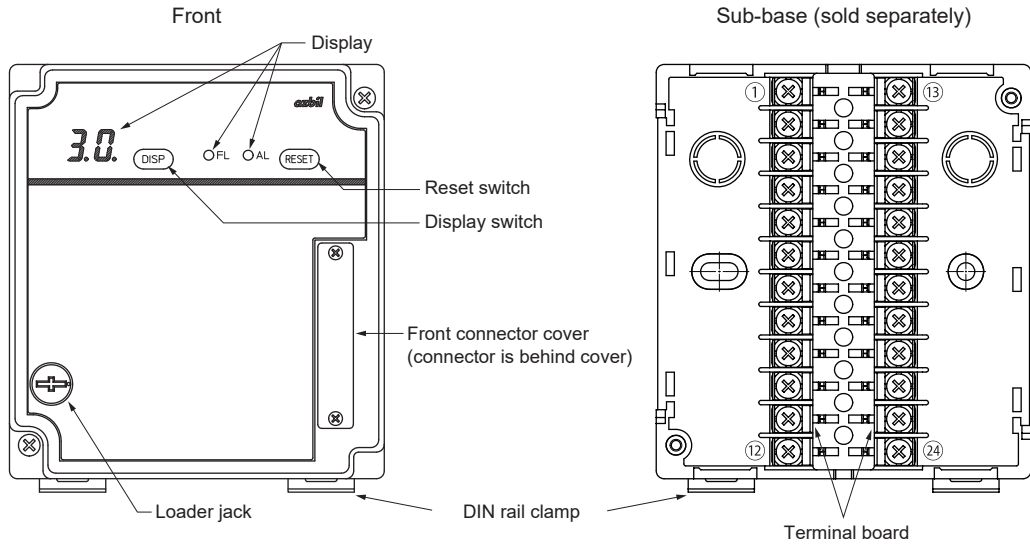
● Flame rod

Model number	Name	Notes
C7007A	Flame rod holder	Discontinued
C7008A	Flame rod assembly	Discontinued

Options (sold separately)

Model number	Product name	Notes
BC-R05A100	Dedicated sub-base for BC-R	Required for all products in the BC-R25 series
81447514-001	Connector for front wiring	Weidmueller model number : BL3.5/11F, compatible wire: 0.2-1.5mm ² (AWG28-14)
81447514-002	Connector for front wiring (For right-side wiring)	Weidmueller model number : BL3.5/11/270F, compatible wire: 0.2-1.5mm ² (AWG28-14)
81447515-001	Sideboards	Contains two. Not included in the sub-base.
SLP-BCRJ71	Smart Loader Package (no cable)	
81441177-001	USB loader cable	
FSP136A100	Analog flame meter	
81447519-001	Jack and jack cover	(Included with the controller.)
81447531-001	Front connector cover	Packaged with mounting screws (Included with the controller.)
81447596-001	R4780/R4715-compatible mounting plate	For use when replacing R4715, R4780, R440H, R4751, or R4781

Terminal numbers, front panel item names



Terminal numbers

Front connector terminals

No.	Function	No.	Function
25	Flame voltage output (+)	31	Power supply for monitor output
26	Flame voltage output (-)	32	Monitor output, flame
27	Host communications (RS-485) DA	33	Monitor output, ignition failure
28	Host communications (RS-485) DB	34	Monitor output, flame failure
29	Host communications (RS-485) SG	35	Monitor output, lockout interlock input
30	NC	-	-

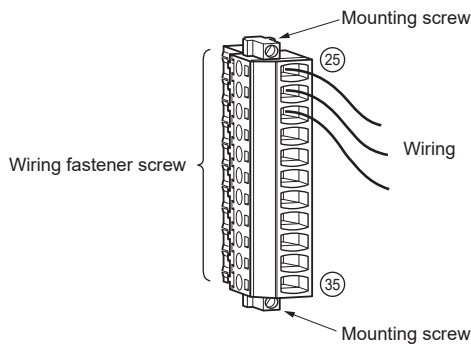
*1 After lockout is released, even if the start input is ON, the unit will not start for 5 seconds to ensure operation stability.

*2 During post purge, reset is disabled for 20 seconds.

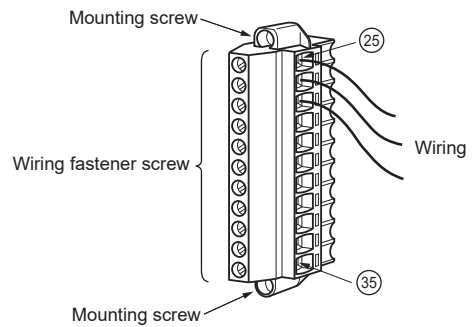
Sub-base terminals

No.	Function	No.	Function
1	Blower motor output (electromagnetic breaker)	13	Alarm output
2	AC power supply (L1)	14	Flame detector (F)
3	AC power supply (L2 (N))	15	Flame detector (G)
4	Output common 1	16	Input common 1
5	Output common 2	17	Input common 2
6	Ignition transformer output	18	NC
7	Pilot valve output	19	NC
8	Main valve output	20	Start input *1
9	NC	21	Airflow switch input
10	NC	22	Lockout interlock input
11	NC	23	POC (shutoff valve closure check) input
12	NC	24	Contact reset input *2

● Connector for front wiring (81447514-001) terminal layout



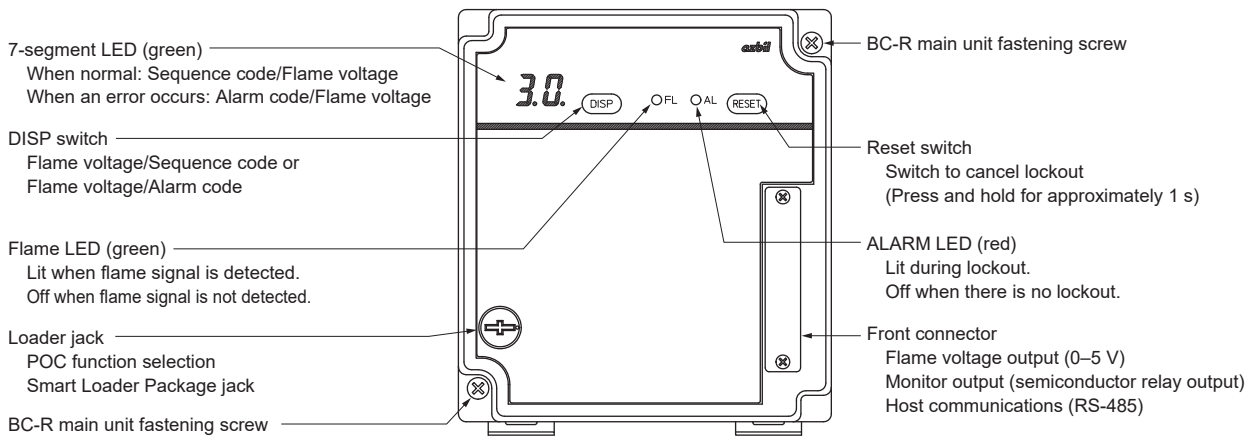
● Connector for front wiring (for right side wiring) (81447514-002) terminal layout



7-segment display, LED display, switches

If this device detects a flame failure etc., it isolates the load and applies a lockout. During lockout, the relevant diagnostic function code is displayed on the 7-segment display.

Part Name



Alarm codes

Display	Name	Description
E0	Interlock error	Lockout interlock
E1	False flame	Combustion signal was detected for 5s during start check and pre-purge
E2	Airflow switch error 1	The airflow switch turned off during combustion
E3	Airflow switch error 2	The airflow switch stayed on for 3 minutes during start check The airflow switch did not turn on for 3 minutes after the start of pre-purge
E6	Ignition failure	Ignition could not be detected with pilot ignition (interrupted pilot type) Ignition could not be detected with main trial (direct ignition type)
E7	Flame failure	The flame signal disappeared in the sequence after pilot ignition (interrupted pilot type) The flame signal disappeared in the sequence after main trial (direct ignition type)
E8	POC (shutoff valve closure check) error*	The shutoff valve closure check switch was detected to be off (open) when the main valve was closed The shutoff valve closure check switch was detected to be on (closed) when the main valve was open
E9 + Sub-code (2 digits)	Device error	Voltage error detected in output from the ignition transformer, pilot valve, or main valve, etc.

* Replace the burner controller, and if there is a warning code E8, POC may have been set by the equipment manufacturer as disabled.

Sequence codes

• Interrupted pilot type

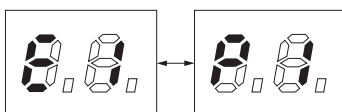
Display	Description
P1	Start check
P2	Pre-purge
P4	Pilot ignition
P5	Pilot only
P6	Main ignition
P8	RUN
P9	Post purge
--	Stop

• Direct ignition type

Display	Description
P1	Start check
P2	Pre-purge
P4	Main ignition
P5	Hi solenoid valve ignition standby
P6	Hi solenoid valve ignition
P8	RUN
P9	Post purge
--	Stop

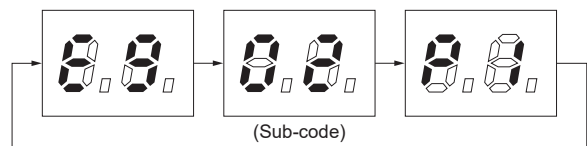
Examples of sequence codes and Alarm codes

• Alarm code: E0 to E8



Switches every 0.8 s

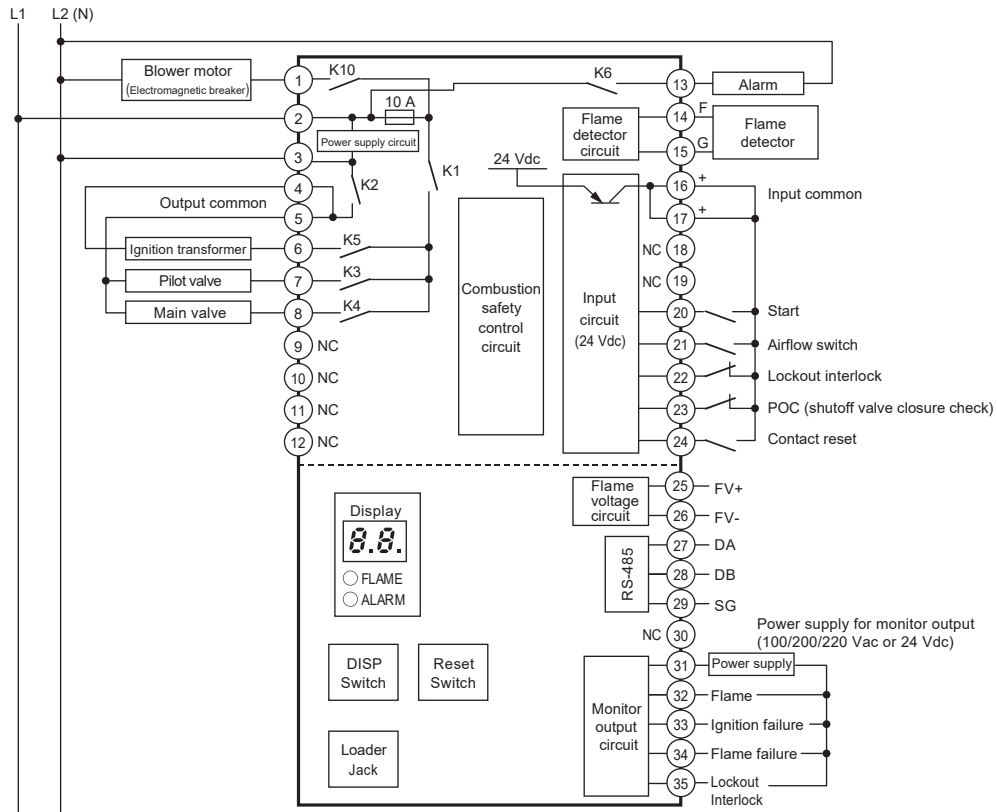
• Alarm code: E9 + sub-code (2 digits)



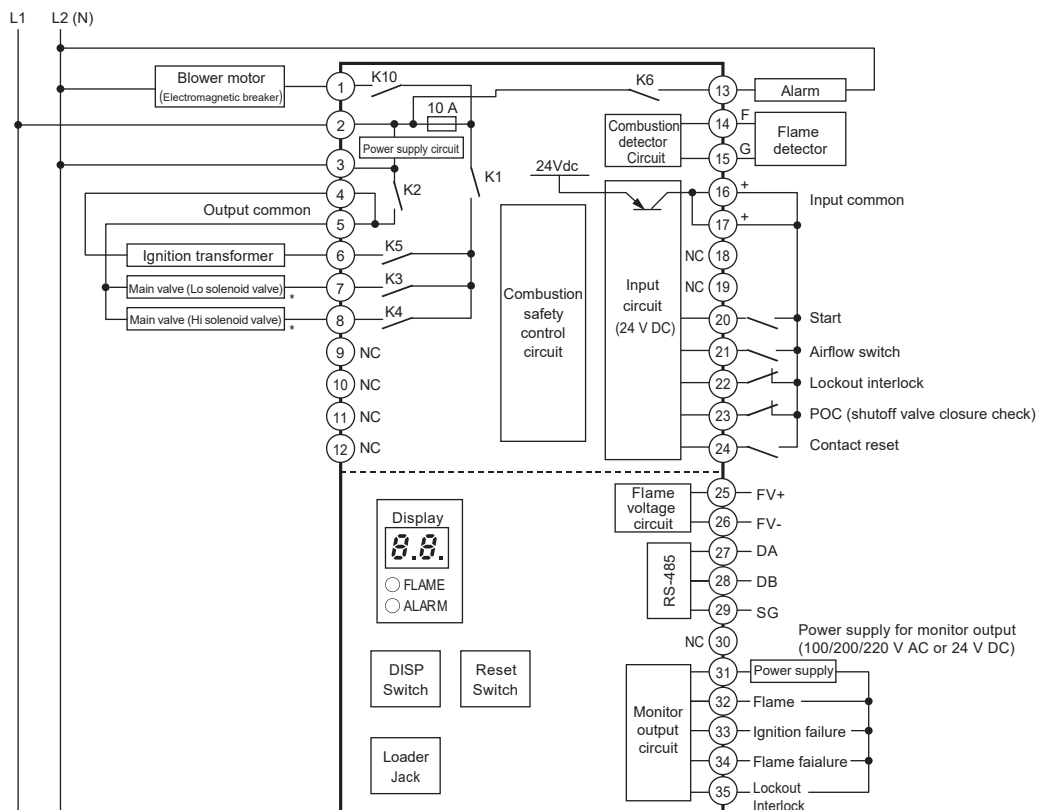
Switches every 0.8 s

Internal block circuit, external connection terminals (1-24 on sub-base, 25-35 on front connector)

● Interrupted pilot type



● Direct ignition type

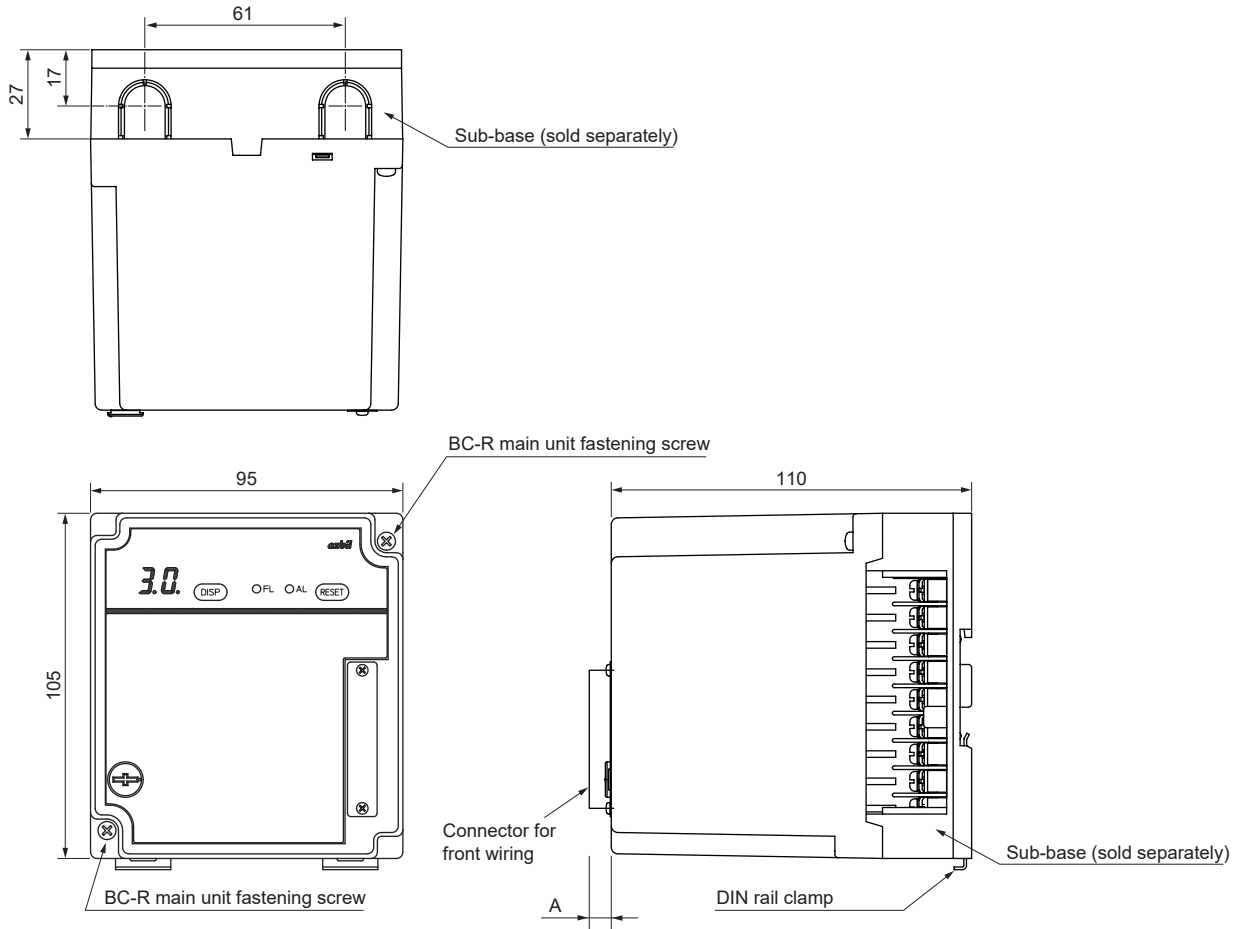


- Note - Use contact reset (terminal 24) input in isolation. It cannot be used in conjunction with other BC-R contact reset inputs.
 - Output common (terminals 4, 5) and input common (terminal 16, 17) cannot be used in conjunction with other BC-R .
 * Content in () describes the situation when three-position (Off-Lo-Hi) control is used. If other than three-position control is used, connect main valve to terminal 7.

External dimensions

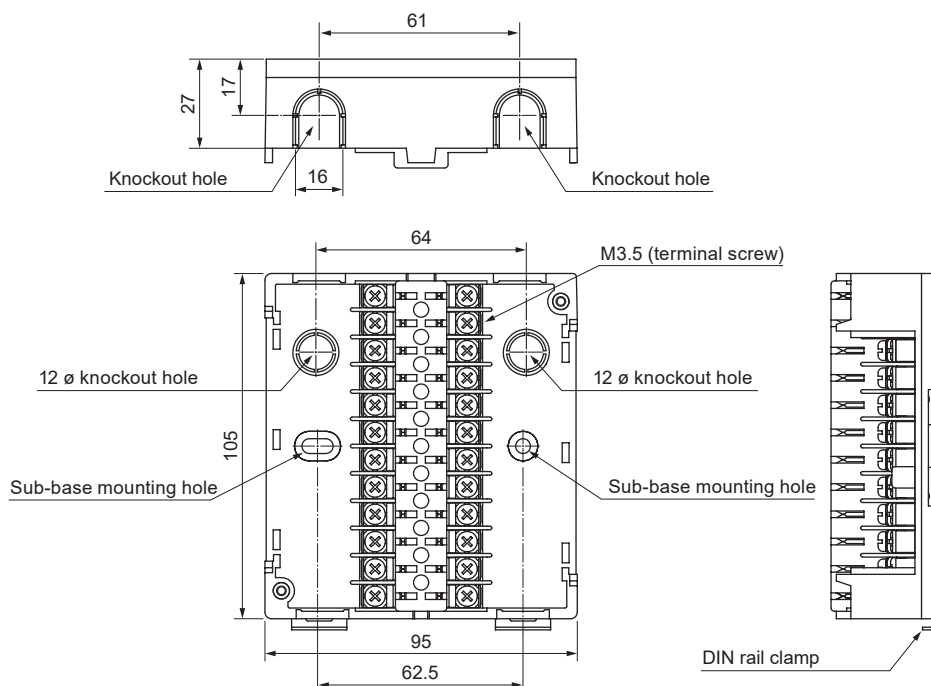
(Unit: mm)

- BC-R25 Burner Controller



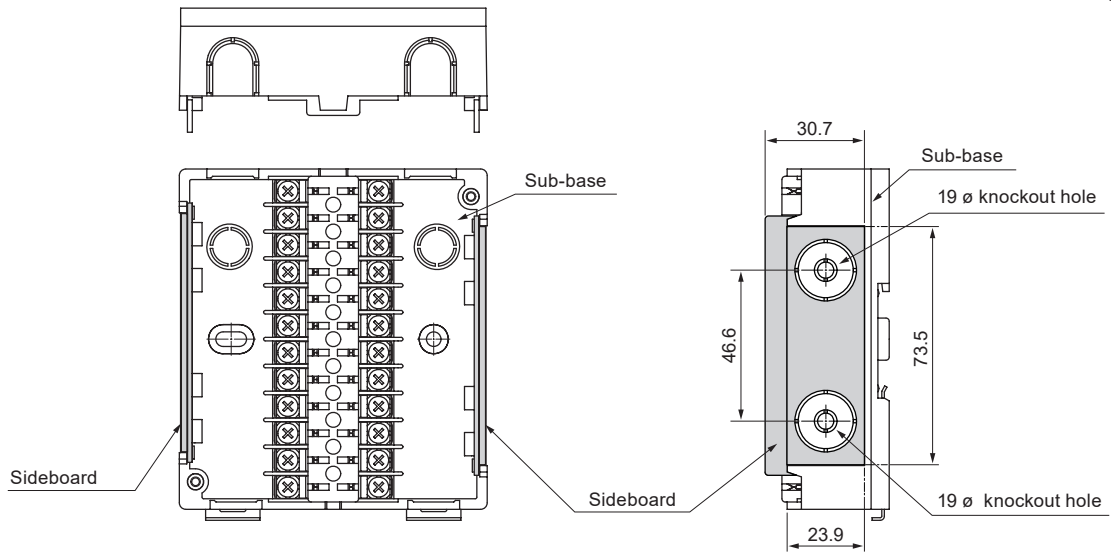
Model number	A
81447514-001	10.6
81447514-002	14.6

- Sub-base BC-R05A100 (sold separately)



- Sideboard 81447515-001 (sold separately)

(Unit: mm)



Installation orientation

Install the device in the orientation shown below.



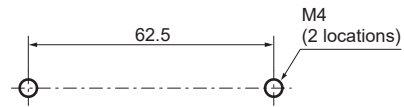
Do not install it in the orientations illustrated below.



Mounting in a panel

- [1] Drill two M4 screw holes into the panel.
- [2] Use screws to mount the sub-base on the panel.
(Maximum tightening torque: 1.2 N·m)

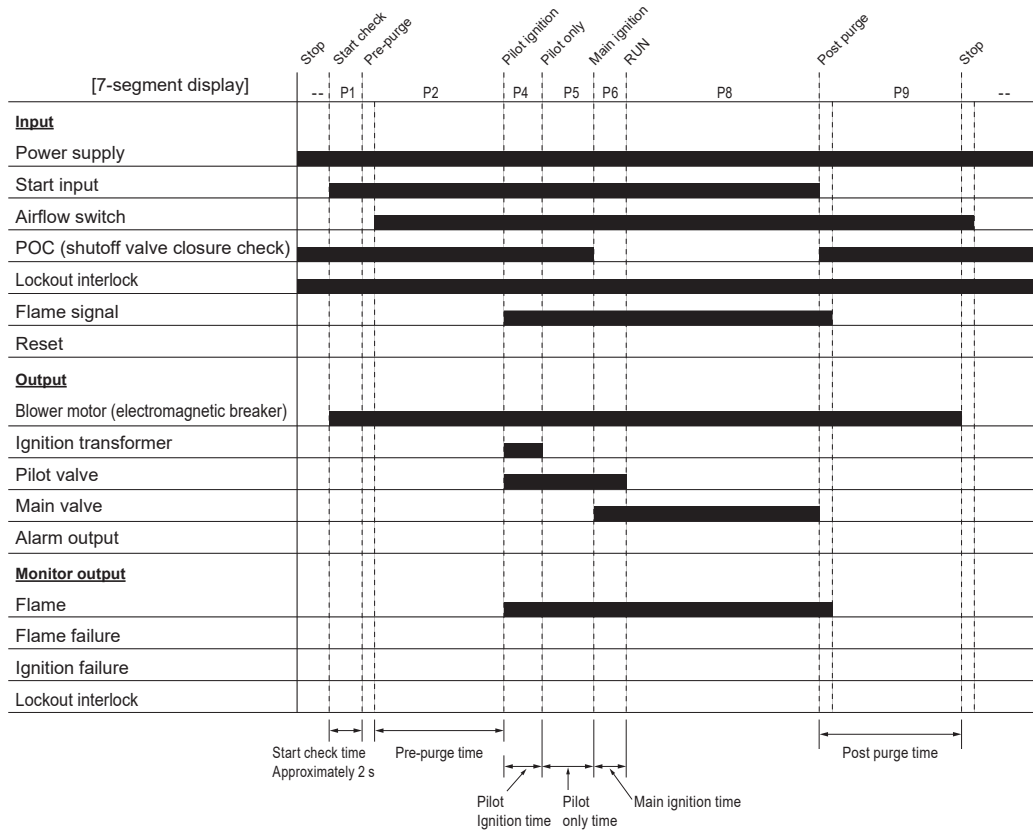
(Unit: mm)



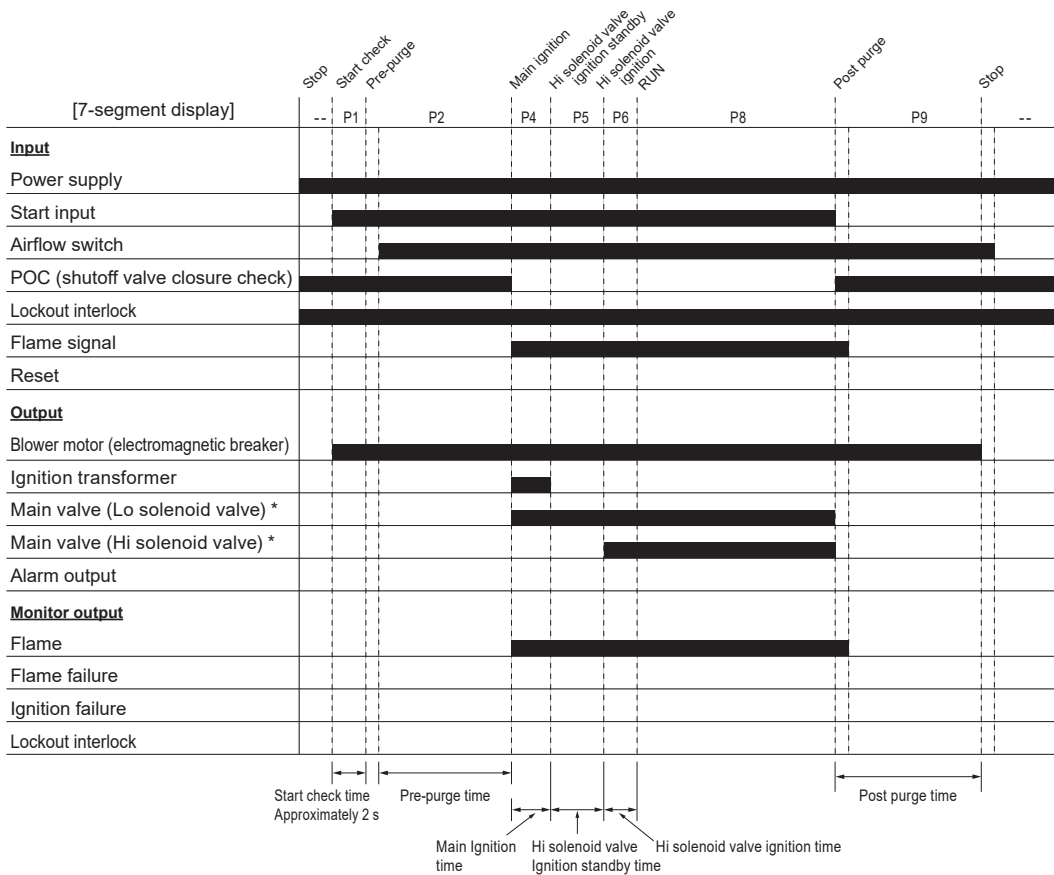
Operation sequence

About the sequence except Normal Operation, please refer to "BC-R25 User's manual No. CP-SP-1388E".

1-1. Normal operation (interrupted pilot type)



1-2 . Normal operation (direct ignition type)



* Content in () describes the situation when three-position (Off-Lo-Hi) control is used. If other than three-position control is used, only look at the main valve (Lo solenoid valve).

Customer Specification Check Sheet, BC-R25 Series

This sheet is for selecting the optimum BC-R25 Series product to suit the customer's specification.

Use it to facilitate communications with our sales staff.

Equipment name		
Equipment summary		
Flame detector used (draw a circle around the applicable product)		Flame rod/ UV sensor (AUD100 Series)
(For a UV sensor: Write the model No.)		
Ignition method (circle the applicable product)		Direct ignition type/ interrupted pilot type
Power supply voltage (circle the applicable voltage)		100 V AC / 200 V AC / 220 V AC
Sequence	Pre-purge	Seconds or minutes
	Main ignition	s
	Post purge	s
	Flame response	s
RS-485 host communications (circle as appropriate)		Required / Not required
Input (Write whether or not there is input, the specification, etc.)	Lockout interlock input	
	Start input	
	Contact reset input	
	Airflow switch input	
	POC (shutoff valve closure check) input	
MEMO		

Please read "Terms and Conditions" from the following URL
before ordering and use.

<http://www.azbil.com/products/factory/order.html>

Specifications are subject to change without notice.

azbil

Azbil Corporation
Advanced Automation Company

1-12-2 Kawana, Fujisawa
Kanagawa 251-8522 Japan
URL: <http://www.azbil.com/>

1st edition: Oct. 2014
4th edition: July 2018

*No part of this publication may be reproduced or duplicated
without the prior written permission of Azbil Corporation.*