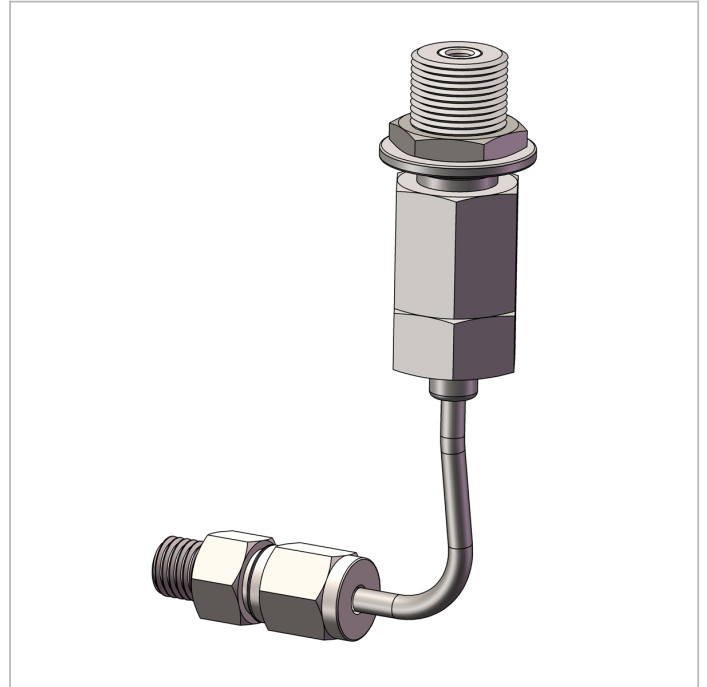


Part No.

NPAK-0002

*NPAK Fill port assembly, male Quick-test with cap and chain
S.S. (for #1)*

Replacement parts for hand pumps, calibration manifolds, nitrogen sources and volume controllers



NPAK-0002

Specs/Attributes

Max Pressure	0.00 PSI / 0.00 mbar / 0.00 kPa
Max Vacuum	0.00 InHg / 0.0 kPa
Materials	Stainless Steel
Seal Materials	Buna-N
Country of origin	USA